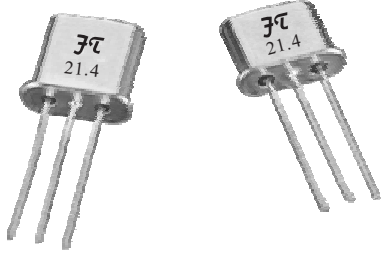


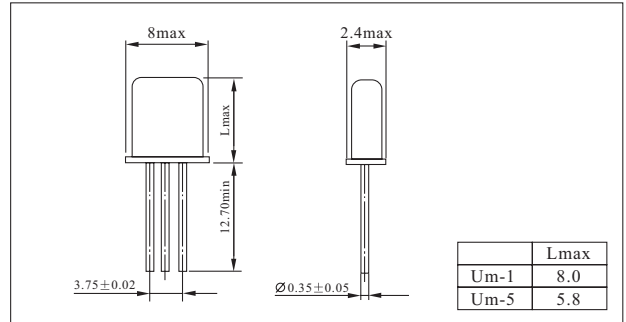
MONOLITHIC CRYSTAL FILTER

单片晶体滤波器

UM-1/UM-5 DIP TYPE



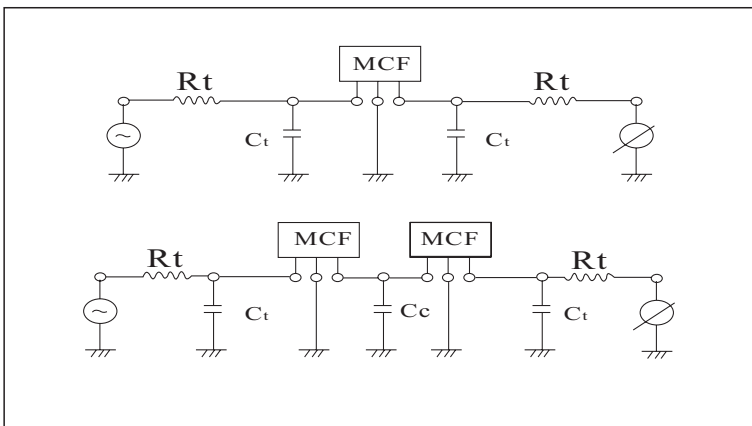
DIMENSIONS(Unit:mm) 外形尺寸



UM-1/UM-5 4 POLE

Model 型号	Nominal Frequency 标称频率 MHz	Pass Band Width 通带宽度 KHz/dB	Stop Band Width 阻带宽度 KHz/dB	Ripple 带内波动 dB	Insertion Loss 插入损耗 dB	Terminal Impedance 终端阻抗 Rt//Ct[Ω//pF]	Operating Temp.Range 工作温度范围 °C	Mode of Oscillation 振动模式	Pole 极点
FT21M07B	21.400	±3.75/3	±14/40	1.0	2.0	850//5	-20°C ~ 70°C	Fund	4
FT21M08B	21.400	±4.00/3	±16/40	1.0	2.0	1000//4	-20°C ~ 70°C	Fund	4
FT21M12B	21.400	±6.00/3	±20/40	1.0	2.0	1200//2.5	-20°C ~ 70°C	Fund	4
FT21M15B	21.400	±7.50/3	±25/40	1.0	2.0	1500//2	-20°C ~ 70°C	Fund	4
FT21M15B2	21.400	±7.50/3	±30/40	1.0	2.0	1500//2	-20°C ~ 70°C	Fund	4
FT21M15B3	21.400	±7.50/3	±30/40	1.5	3.0	1500//1	-20°C ~ 70°C	Fund	4
FT21M30B	21.400	±15.0/3	±50/40	1.0	2.0	3300//0.5	-20°C ~ 70°C	Fund	4
FT21P07B	21.600	±3.75/3	±14/40	1.0	2.0	850//5	-20°C ~ 70°C	Fund	4
FT21P12B	21.600	±6.00/3	±20/40	1.0	2.0	1200//2.5	-20°C ~ 70°C	Fund	4
FT21P15B	21.600	±7.50/3	±25/40	1.0	2.0	1500//2	-20°C ~ 70°C	Fund	4
FT21T07B	21.700	±3.75/3	±14/40	1.0	2.0	850//5	-20°C ~ 70°C	Fund	4
FT21T12B	21.700	±6.00/3	±20/40	1.0	2.0	1200//2.5	-20°C ~ 70°C	Fund	4
FT21T15B	21.700	±7.5/3	±25/40	1.0	2.0	1500//2	-20°C ~ 70°C	Fund	4
FT21T30B	21.700	±15/3	±50/40	1.0	2.0	3300//0.5	-20°C ~ 70°C	Fund	4
FT30M15B	30.875	±7.5/3	±25/40	1.0	2.5	800//4	-20°C ~ 70°C	Fund	4
FT45M15B	45.000	±7.5/3	±25/40	1.0	2.5	650//3	-20°C ~ 70°C	3 rd overtone	4
FT45M30B	45.000	±15/3	±40/30	1.0	2.5	800//1.5	-20°C ~ 70°C	3 rd overtone	4

TEST CIRCUIT 测量线路



PASS BAND FILTER SPEC-DRAWING

